

Rapid OneCUT PRO

The FlexiSPEED granulator

The new modern slow speed granulator with many smart and patent pending features

- Save up to 80% of energy cost with Rapid EnergySMART
- Fastest machine to clean with Rapid Open Hearted Design – Open up the complete machine in less than 30 seconds
- Total accessibility of rotor and cutter house through Rapid QRR – quick rotor release – disconnects the gearbox to provide completely open cutter house and a free spinning rotor for much easier cleanouts
- Highest quality regrind independent of the material thanks to Rapid FlexiSPEED – cutting speed adapted to material characteristic
- Anti-blocking system as standard – prevents overload, rotor blocking and can stir the material in the cutter house by reversing the rotor direction
- Meets the current and future safety requirements: OneCUT PRO meets safety level PLD according to the new European safety rules. EN12012-1:2018.

Open-Hearted design

Thanks to Rapid QRR (Quick Rotor Release) the complete cutter house, including rotor, opens in less than 30 seconds for cleaning, service and preventive maintenance. As the rotor is disconnected from the gear motor, it can be easily rotated for convenient cleaning with full visibility. The opening and closing of the cutter house is gas spring assisted in order to simplify the opening but equally as important, control the closing to prevent any injury risk.

FlexiSPEED – Frequency converter

Different materials have different characteristics. Adjust the speed by +/- 40% (from 15 – 35 rpm) to optimize the regrind quality, lower the noise level or maximize the regrind capacity.

Lower the speed – for brittle materials, lower noise level and lower energy consumption.

Increased speed – for softer materials and higher capacity.

Rapid EnergySMART – Save up to 80% of your energy cost

Utilize the granulator overcapacity to save significant amount of the energy cost. With Rapid Stop & Go mode the granulator can stop and restart in intervals. During pause mode, you'll have zero energy consumption and no noise. After a user preset time the granulator starts again and recycles all the accumulated material in the hopper and then it stops again.

Straight cut with – Staggered cutting segments

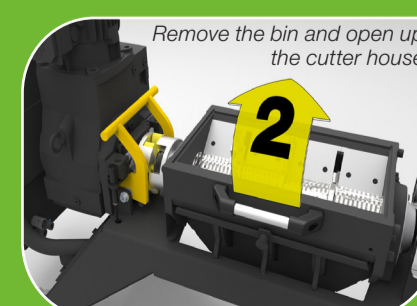
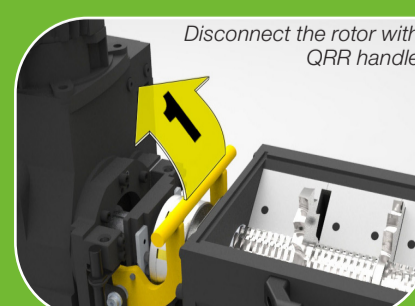
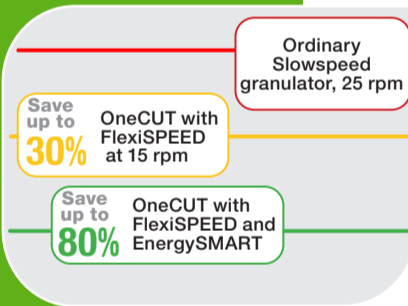
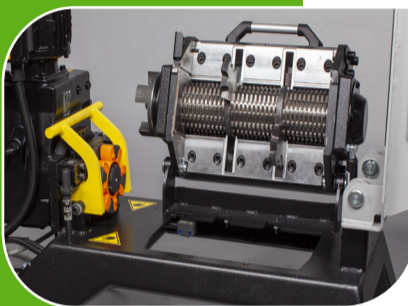
The teeth are configured in a straight cut design in order to maximize the gripping of sprues and parts. Lack of gripping ability increases dust and fines production. Each tooth has a square cut design to generate uniform high quality regrind. The rotor segments are staggered to each other so only one segment is cutting at a time, providing a smooth operation.

Turnable knives and hooks and PowerTECH execution

The Rapid OneCUT PRO is designed for minimal cost of ownership. The main wear and tear parts, like the fixed knives and the cutting hooks, are turnable for double life time. The OneCUT PRO can also be delivered in a PowerTECH execution for very abrasive materials. With PowerTECH execution the rotating-, fixed- and scraper knives have a super hard treatment for maximum wear resistance.

Metal detector, optional

Hopper mounted metal detector – detecting metal in the hopper increases detection – stopping the rotor before the metal reaches the cutter house. Detecting even embedded metal.



Specifications, Features and Options

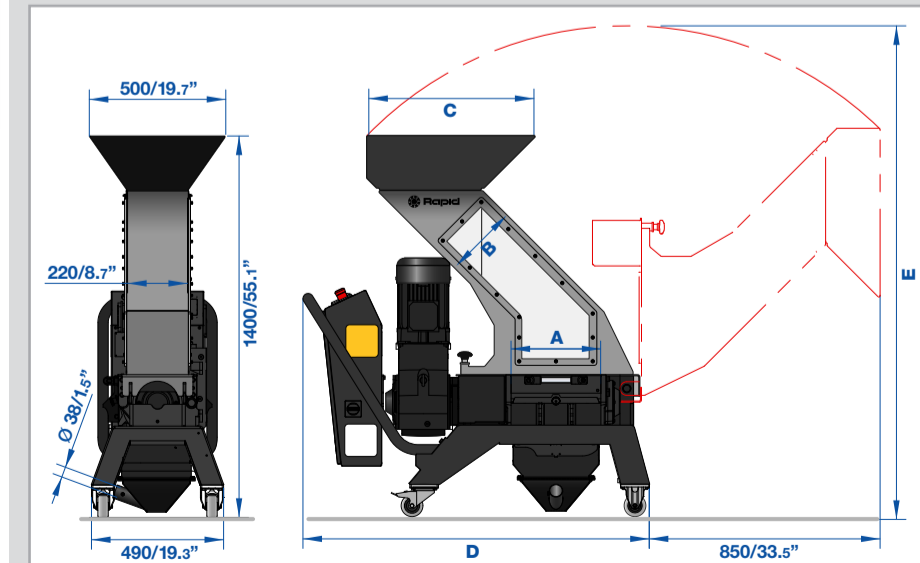
Standard models	OC 100-22	OC 100-33	OC 100-44
Cutter house width, (mm/in)	215x220 8,5"x8,7"	330x220 13"x8,7"	445x220 17,5"x8,7"
Rotor speed, (rpm.)	15-35		
Cutting hooks	1	2	3
Rotor segments	2	3	4
Rotor teeth size, mm/in (standard/optional)	5 / 0,2" 7 / 0,28"		
Motor, optional (kW/HP)	1,5 (2,2)/2(3)		
Hopper inlet, (mm)	200x220 7,8"x8,7"	260x220 10,2"x8,7"	320x220 12,6"x8,7"
Weight (kg)	220	240	330

Standard features

- Open-Hearted design
- Rapid QRR, Quick Rotor Release, giving fast access to cutter house
- Staggered rotor configuration with straight cut per segment
- ABS function, reversing rotor regularly to optimize recycling efficiency

Optional features

- EnergySMART, save up to 80% of energy cost
- In hopper metal detector, detects even embedded metal
- IMM interface, for connection to production line
- Level indicator, paddle type, warn if granule bin fills up
- Wear resistant rotor/cutterhouse parts



OneCUT PRO	100-22	100-33	100-44
A	215/8,5"	330/13"	445/17,5"
B	200/7,8"	260/10,2"	320/12,6"
C	520/20,4"	605/23,8"	690/27,2"
D	1160/45,7"	1280/50,4"	1400/55,2"
E	1720/67,7"	1800/70,9"	1890/74,5"